

10.1 Inch Industrial All In One IP65 Panel PC



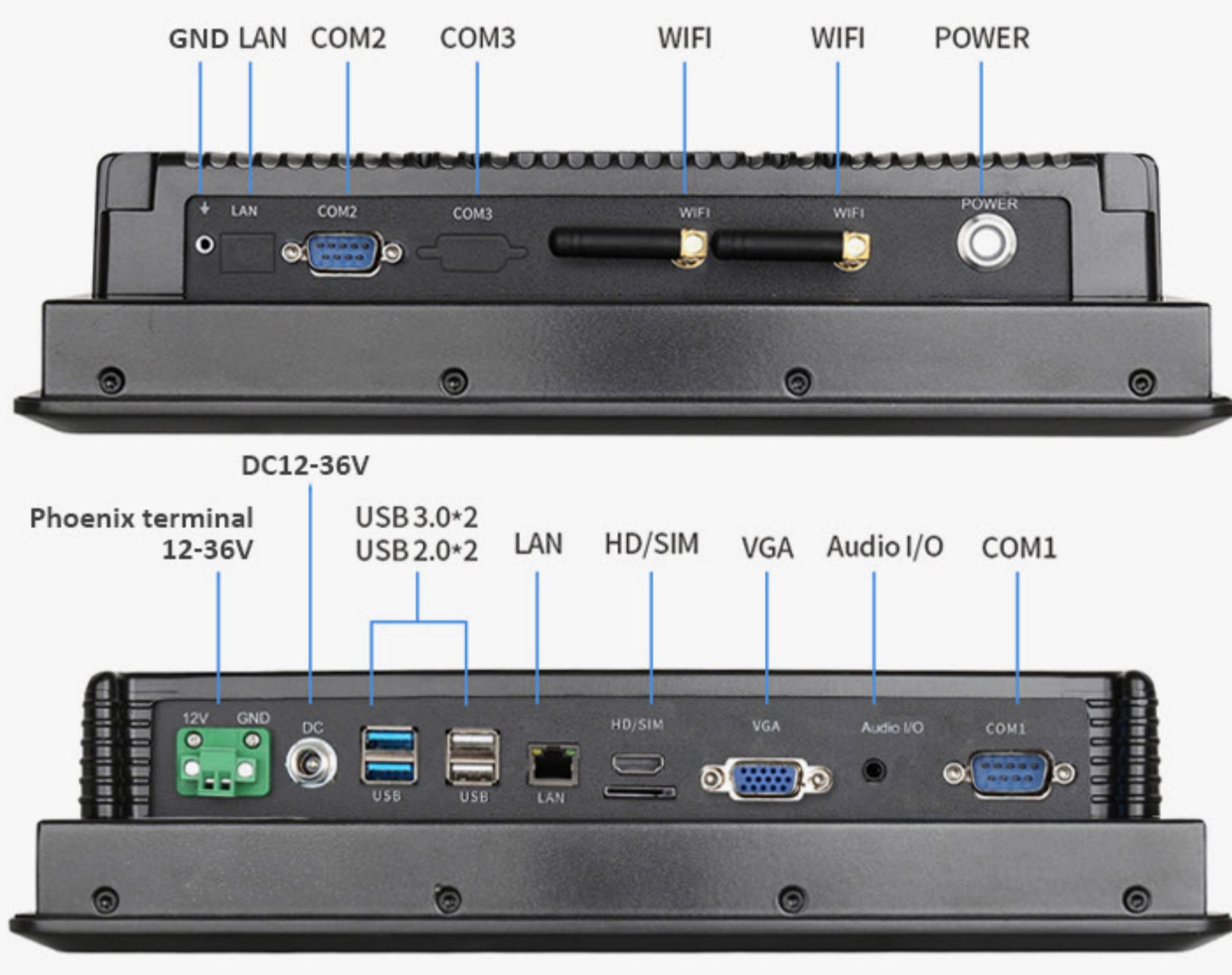
Front Panel IP65 Dust-proof and Waterproof

- 10.1 inch, 1280x800, 16:10 Aspect Ratio
- J1900 Quad Core 1.99GHz, Optional Core I3/I5/I7
- 2G DDR3 RAM, Optional Up to 4G/8G RAM
- 64G SSD, Optional Up to 128G/256G/512G SSD
- Supports Windows7/8/10, Linux Operating System
- Curved Design Front Bezel, Aluminum Alloy Enclosure



Interfaces

WiFi + Bluetooth



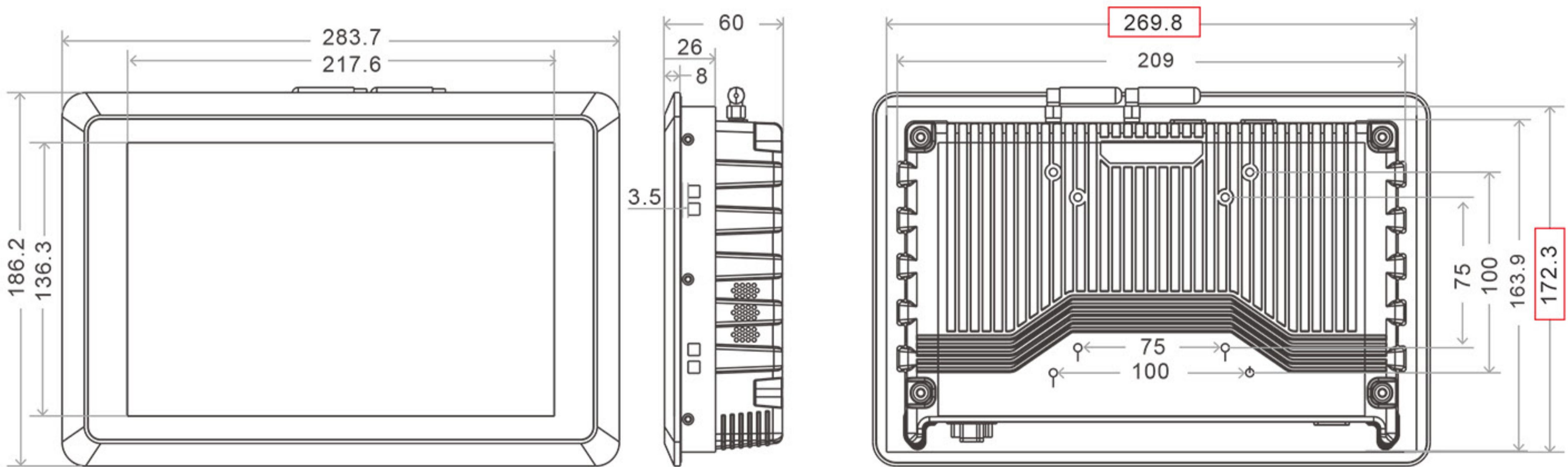
Touch Type

Front Panel IP65 Design, Water and Dust Proof

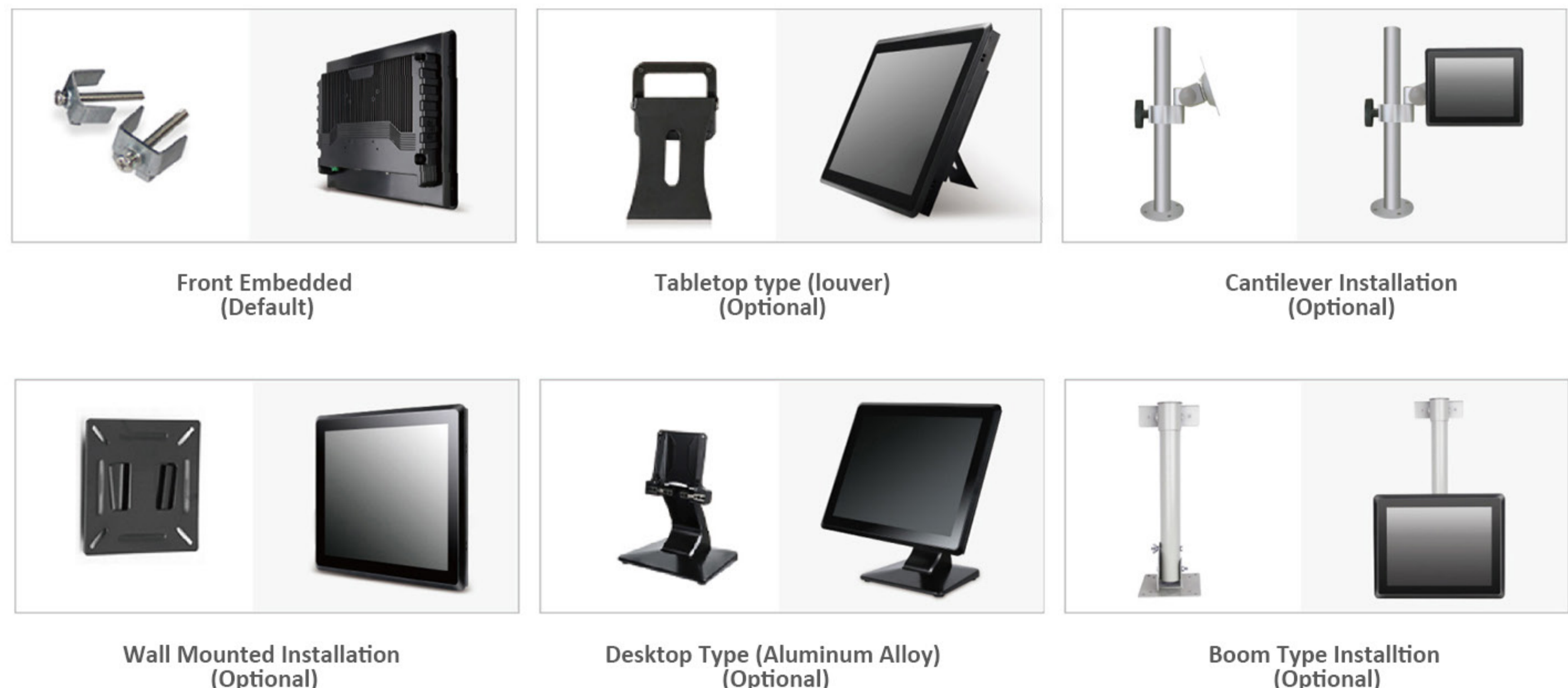
- Resistive Touch (One Point)
Life ≥ 35 million times
- PCAP Touch (Ten Point)
Life ≥ 50 million times



Dimension



Installation



Specification

Display	Screen Size	10.1"
	Resolution	1280x800
	View Angle	85/85/85/85 (L/R/U/D)
	Colour	Chroma: 16.7M
	Brightness	300cd/m2 (optional up to 800cd/m2)
	Contrast	600 :1
	Response Time	6.5 ms
	Display Area	135.36 x 216.576 mm
	Pixel Pitch	0.1692 x 0.1692 mm (H×V)
Mother Board	Touch Screen Type	No Touch/ Resistie Touch/ Capacitive Touch
	CPU	J1900 quad core 1.99GHz, Optional Core I3/I5/I7
	RAM	2G DDR3 (optional up to 4G/8G)
	ROM	64G SSD (optional up to 128G/256G/512G)
	Operating System	Windows7/8/10, Linux
	WiFi	Dual Frequency
	Bluetooth	BT4.0
	RTC	Support
Others	Timer Switch	Support
	Material	Aluminum Alloy Metal
	IP Rating	Front IP65 Water & Dust Proof
	Working Temp	-10 °C to 60 °C
	Storage Temp	-20°C to 70°C
	Humidity	95% Non-Condensing
	Power Consumption	35W
	Voltage Input	DC12-36V (Power adapter with DC12V / 5A, AC 100-240V 50/60Hz)
	Accessories	Power Adapter, Power Cable, Snap screw, User Manual